

Vision of the future
OPTRONITALIA

Unattended mobile systems

Vehicular systems

Infrared cameras

V.V.S.



OPTRONITALIA

GROSSETO Via Birmania n. 109 ITALIA Tel.+39 0564 451290
Fax.+39 0564 469023 www.optronitalia.it info@optronitalia.it

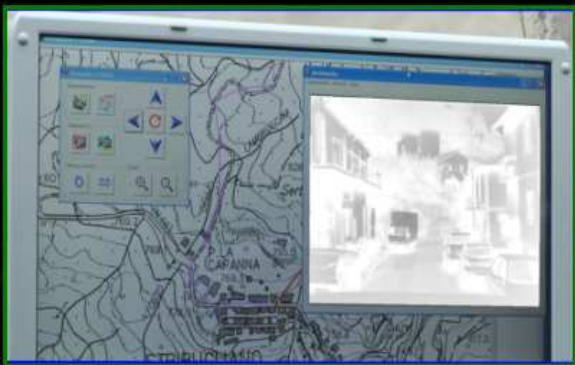


V.V.S. KIT FOR ARES SYSTEMS

OPTRONITALIA'S V.V.S kit (Vehicular Video system) is applicable on every types of vehicles to effect Day and Night supervision and in any environmental condition.

The visualization of images is displayed inside the vehicle, using directly a "rugged laptop", from which it is possible to activate all various functions of the System, starting from the air-elevation of the telescopic mast, which supports the video-cameras, their aiming, the optics' motorization, as well as all other applied functions.

A dedicated software allows to enjoy all acquired data, from the system, and to integrate the live video images to the satellite cartography, supplying, in this way, useful monitoring instrument for all mostly sensible areas.

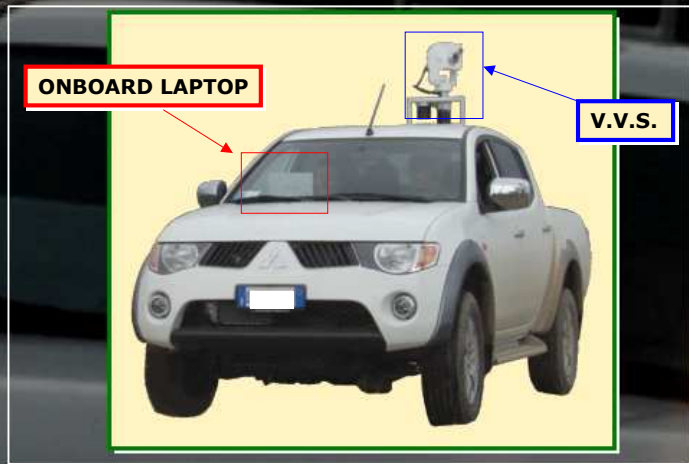
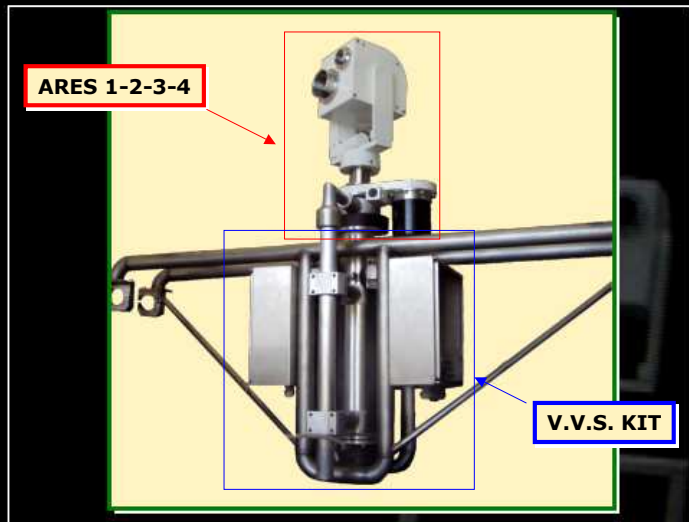


The aiming's mechanics is very resistant and reliable, properly designed for heavy uses subjected to strong stresses, thanks to well equipped air shock-absorbing system, can support the considerable vibrations induced by vehicle's drive mechanism motion.

One GPS system integrated to an electronic compass supply all necessary data to the positioning of the area being framed by the V.V.S. system, on the electronic cartography of the onboard laptop.

The visualization field of shooting systems corresponds to 360° in horizontal, with continuous turning, no-stopping, and 90° in vertical, which thanks to very precise aiming system, allows to frame the desired target with extreme easiness.

The V.V.S. kit has very easy integrability to the UGS Deimos A-B mobile surveillance systems, through an interface wireless bridge, by creating a territorial supervision area network, with efficient and exclusive video-data exchange.



V.V.S. kit

GENERAL

SIZE:	Storage 60/124/46 cm. Operating 60/180/46 cm.
WEIGHT:	58,0 Kg (with ares1)
STRUCTURE:	Alum./steel/Carbon
MAST:	Pneumatic, telescopic + 3 bar
ELEVATION SPEED:	10 sec.
MOTORS:	Air pump
POWER:	12 V. 6 Ah.

THERMAL AND COLOR CAMERA SYSTEMS

ARES 1:	Short range 7,5-13,5 μm 384X288 pixels
ARES 2:	Short range 7,5-13,5 μm 640X480 pixels
ARES 3:	Medium range 3-5 μm 384X288 pixels
ARES 4:	Long range 3-5 μm 640X480 pixels

RUGGED LAP TOP

PROCESSOR:	Intel ULV M 1.0 GHZ
DISK:	40 GB
SCREEN:	8.4"

OPTIONALS

- Gyro stabilized
- Modem sat
- GPS module

V.V.S. TARGET DETECTION (WITH ARES SYSTEMS)

